

Audi A8

Fitting Locations

No. 201 / 1

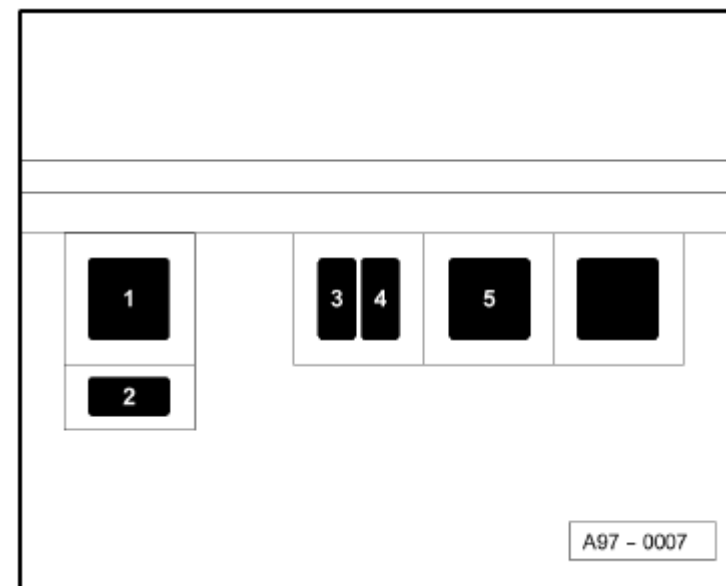
Edition 02.2003

Relay and fuse carrier in electronics box, front passenger's footwell

Position of relays and fuses

- 1 - Entry and footwell lighting relay (J348)
- 2 - Hot air blower single fuse (S25, 40 A)
- 3 - Seat adjustment thermo-fuse 1 (S44, 30 A)
- 4 - Seat adjustment thermo-fuse 2 (S80, 30 A)
- 5 - Daytime driving light switch-on relay (J90)
- 6 - Driving lights relay (Litronic) (J336)

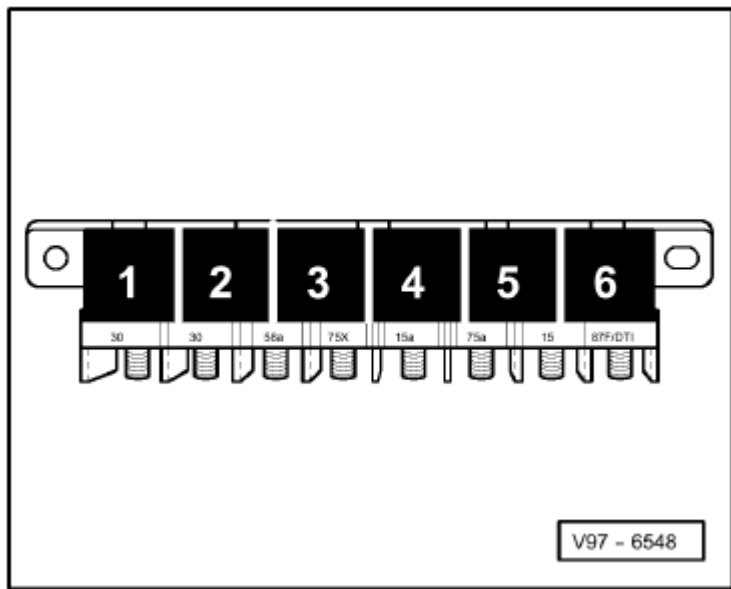
Relay and fuse carrier in electronics box, front passenger's footwell



Central electrics - front side

Position of relays and fuses

- 1 - X contact relief relay (J59)
- 2 - Dual tone horn relay (J4)
- 3 - Headlight washer system relay (J39)
- 4 - Starter inhibitor relay (J207)
 - Starter inhibitor and reversing light relay (J226)
- 5 - Automatic intermittent wash/wipe relay (J31)
- 6 - Fuel pump relay (J17)



Audi A8

Fitting Locations

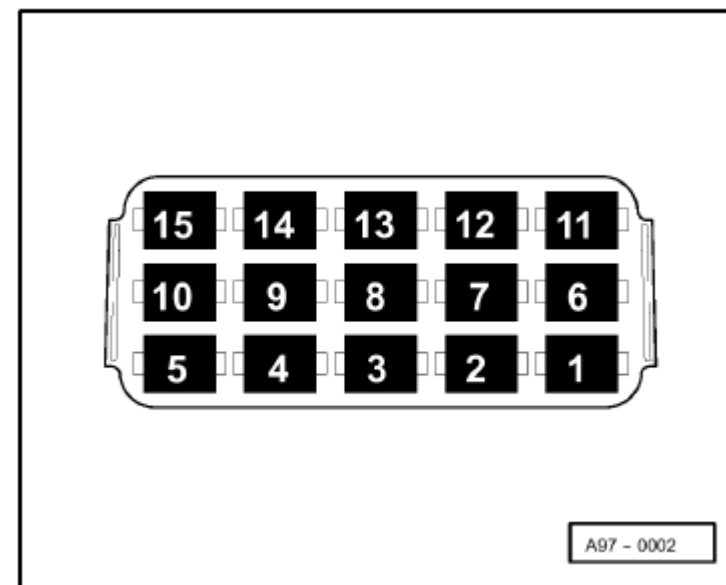
No. 201 / 2

Relay carrier in electronics box, front passenger's footwell

Position of relays

Item - Designation Adapter colour

- 1 - Bulb monitoring device (J123) (position 1 and 6) brown
- 2 - Automatic sliding sunroof close relay (J356) green
- 3 - Fresh air blower relay (J13) black
- 4 - Solar cell isolation relay (J309) red
- 5 - Entry and footwell lighting relay (J348) white
- 6 - Bulb monitoring device (J123) (position 1 and 6) brown
- 7 - Auxiliary heater relay (J8) brown
- 8 - Daytime driving light change-over relay (J89) grey
- 9 - Fog light relay (J5) yellow
- 10 - Exterior mirror fold system control unit (J351) (position 10 and 15) black
- 11 - Selector lever lock control unit (J221) grey
- 12 - Servotronic control unit (J236) red
- 13 - Selector lever illumination diode (J443) black
- 14 - Magnetic coupling relay (J44) blue
- 15 - Exterior mirror fold system control unit (J351) (position 10 and 15) black



Audi A8

Fitting Locations

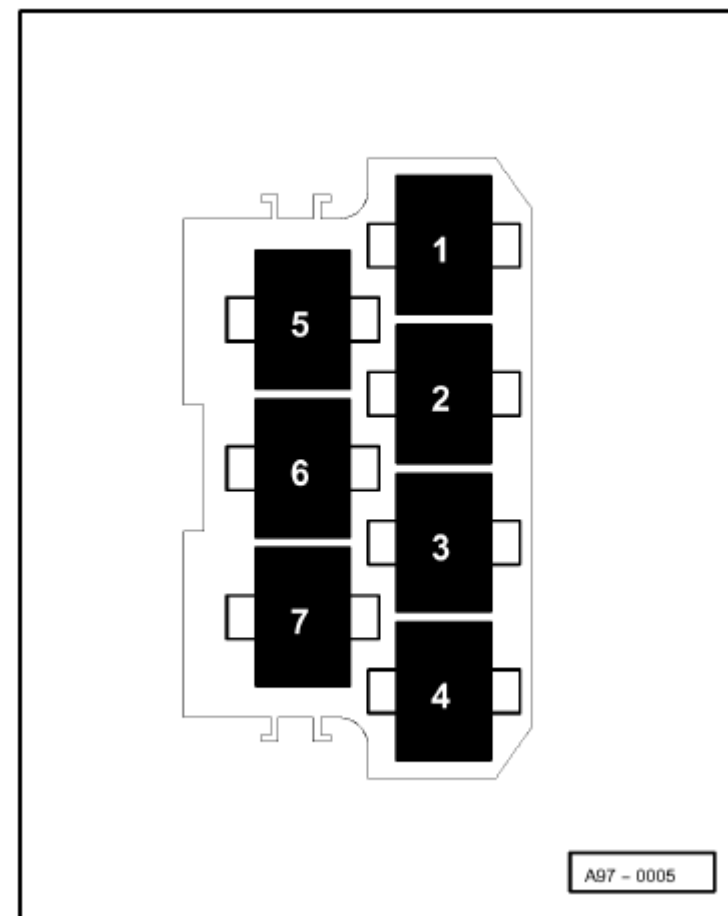
No. 201 / 3

Connector point in electronics box, plenum chamber

Connector assignment

Item - Colour From wiring harness To wiring harness

- 1 - black Dash panel/engine compartment Engine/gearbox V6/V8
- 2 - brown Dash panel/engine compartment Engine/gearbox V6/V8
- 3 - red Dash panel/engine compartment Engine/gearbox V6
- 4 - blue Dash panel/engine Engine/gearbox V6/V8
- 5 - yellow Dash panel/engine Engine/gearbox V6/V8
- 6 - purple Dash panel/engine Engine/gearbox V6/V8
- 7 - green Dash panel/engine Engine/gearbox V6/V8



Audi A8

Fitting Locations

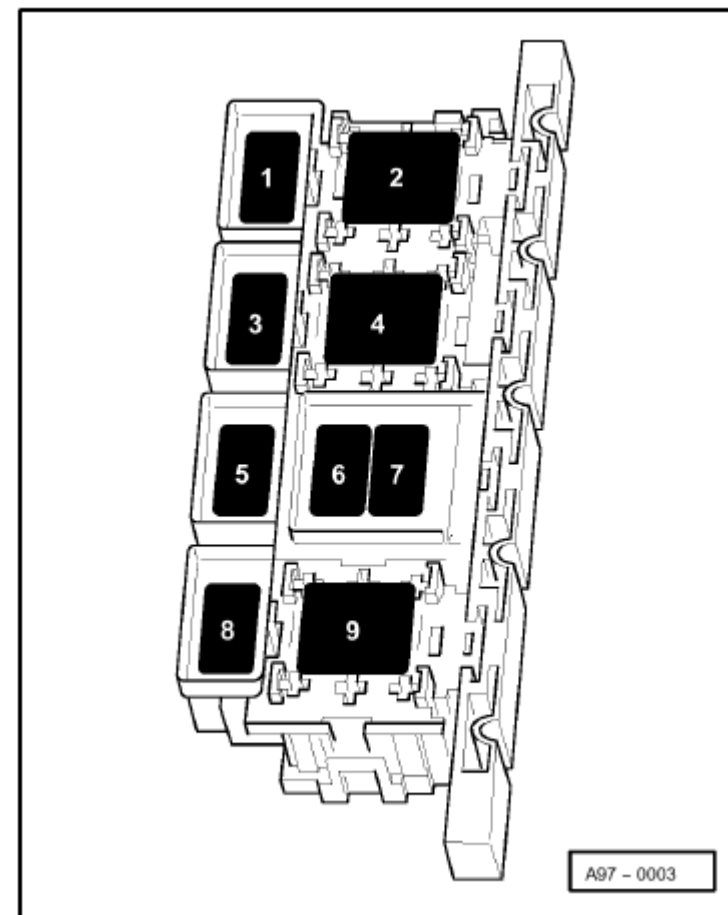
No. 201 / 4

Relay and fuse carrier in electronics box, plenum chamber

Position of relays and fuses

Item - Designation Fuse

- 1 - Automatic gearbox fuse (S113) 15 A
- 2 - Immobilizer relay I (J341)
- 3 - Automatic gearbox fuse (15a) (S114) 15 A
- 4 - Motronic current supply relay (J271)
- 5 - Control element fuse (S117) 15 A
- 6 - Injector fuse (S116) 15 A
- 7 - Ignition coil terminal 15 fuse (S115) 15 / 20 A
- 8 - Vacant
- 9 - Vacant



Audi A8

Fitting Locations

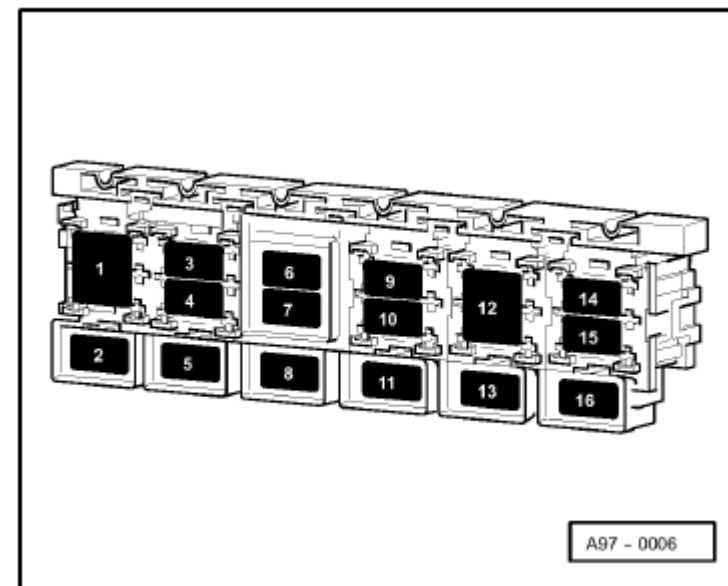
No. 201 / 5

Relay and fuse carrier in luggage compartment, right

Position of relays and fuses

Item - Designation Fuse

- 1 - Terminal 30 junction box (TV2)
- 2 - ABS hydraulic pump fuse (S53) 50 A
- 3 - Heated seats single fuse (S38) 20 A
- 4 - Terminal 30 fuse - trailer towing (S77) 20 A
- 5 - Vacant
- 6 - ABS valves fuse (S54) 25 A
- 7 - Radio fuse (S92) 15 / 20 A
- 8 - Second battery fuse (S65) 60 A
- 9 - Telephone fuse (S119) 15 A
- 10 - Vacant
- 11 - Vacant
- 12 - Battery isolation relay (J7)
- 13 - Vacant
- 14 - Seat adjustment fuse (S45) 20 A
- 15 - Vacant
- 16 - Vacant



Audi A8

Fitting Locations

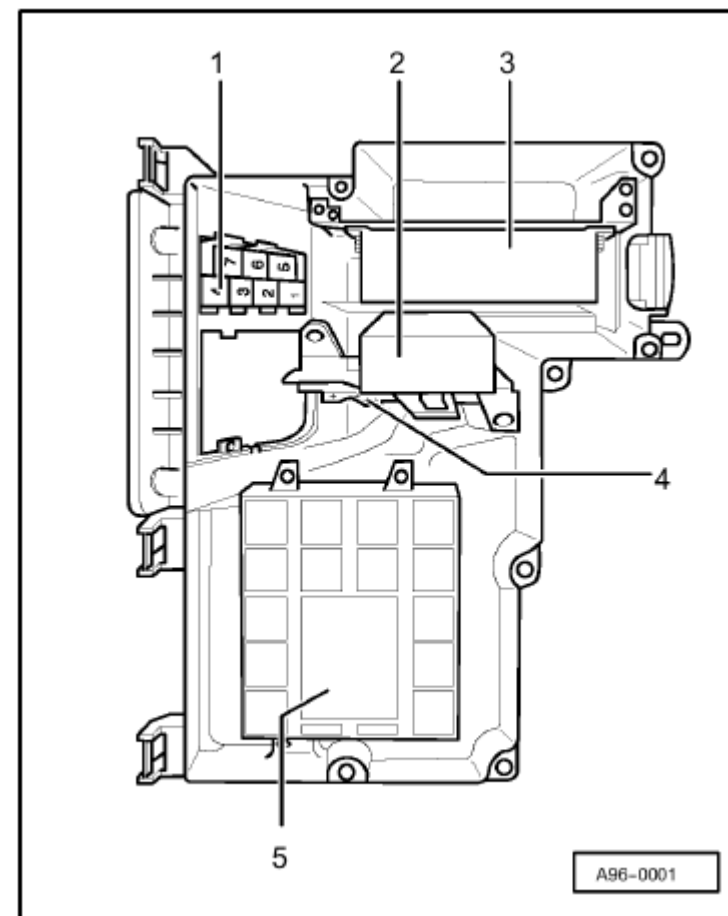
No. 201 / 6

Electronics box in plenum chamber

Assignment

Item - Designation

- 1 - 7-pin connector, connector point, electronics box, plenum chamber
- 2 - Cruise control system control unit (J213)
- 3 - Automatic gearbox control unit (J217)
- 4 - Relay and fuse carrier, electronics box, plenum chamber
- 5 - Overrun boost control unit (J191), Motronic control unit (J220)



Audi A8

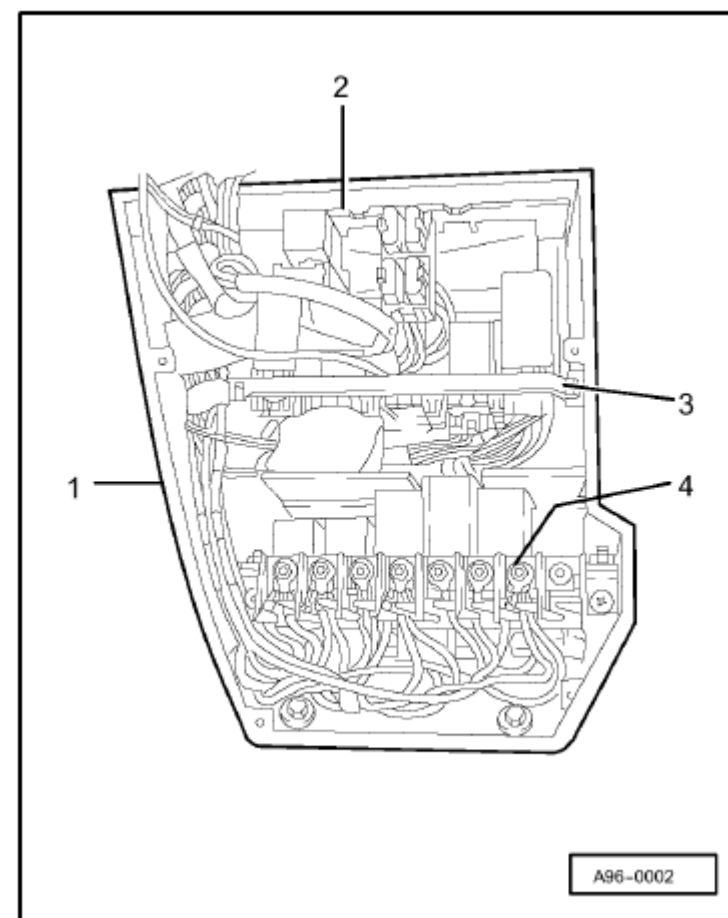
Fitting Locations

No. 201 / 7

Electronics box in front passenger's footwell

Item - Designation

- 1 - Electronics box, plenum chamber
- 2 - Relay and fuse carrier
- 3 - Relay carrier, electronics box in front passenger's footwell
- 4 - Central electrics



Audi A8

Fitting Locations

No. 201 / 8

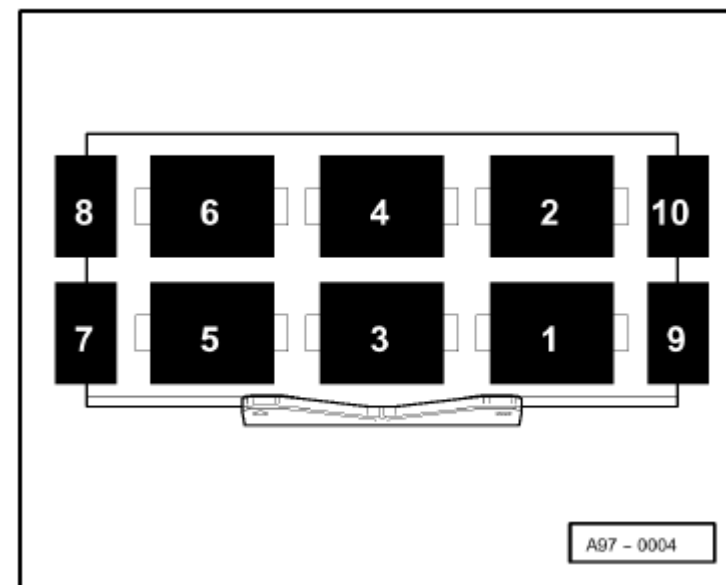
Relay carrier under shelf on driver's side

Position of relays and fuses

Item - Designation

- 1 - Radiator fan relay (J26)
- 2 - Radiator fan 2nd speed relay (J101)
- 3 - Control unit for electric windows and sliding sunroof (J139)
- 4 - Control unit for electric windows and sliding sunroof (J139)
- 5 - Automatic window closing relay (J261)
- 6 - Hazard warning light relay (J2)
- 7 - Electric window thermo-fuse (S43, 30A)
- 8 - Automatic window closing thermo-fuse (S99, 30A)
- 9 - Vacant
- 10 - Vacant

Radiator fan 3rd speed relay (J135) is located on ABS control unit (J104).



Audi A8

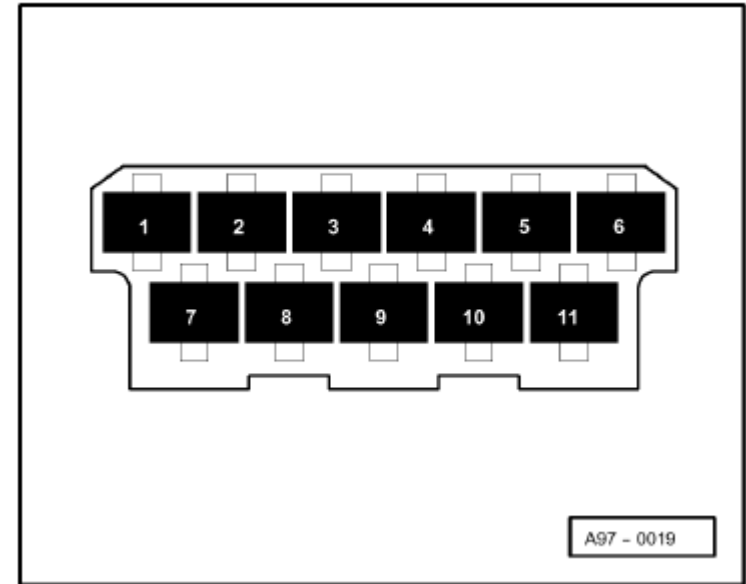
Fitting Locations

No. 201 / 9

Connector point, wheelhouse, right

Item - Colour From wiring harness To wiring harness

- 1 - white Dash panel/engine compartment Vehicle interior
- 2 - green Dash panel/engine compartment Vehicle interior
- 3 - grey Dash panel/engine compartment Vehicle interior
- 4 - Vacant
- 5 - brown Dash panel/engine compartment Vehicle interior
- 6 - purple Dash panel/engine compartment Air vents
- 7 - Vacant
- 8 - Vacant
- 9 - Vacant
- 10 - Vacant
- 11 - red Interior light Vehicle interior



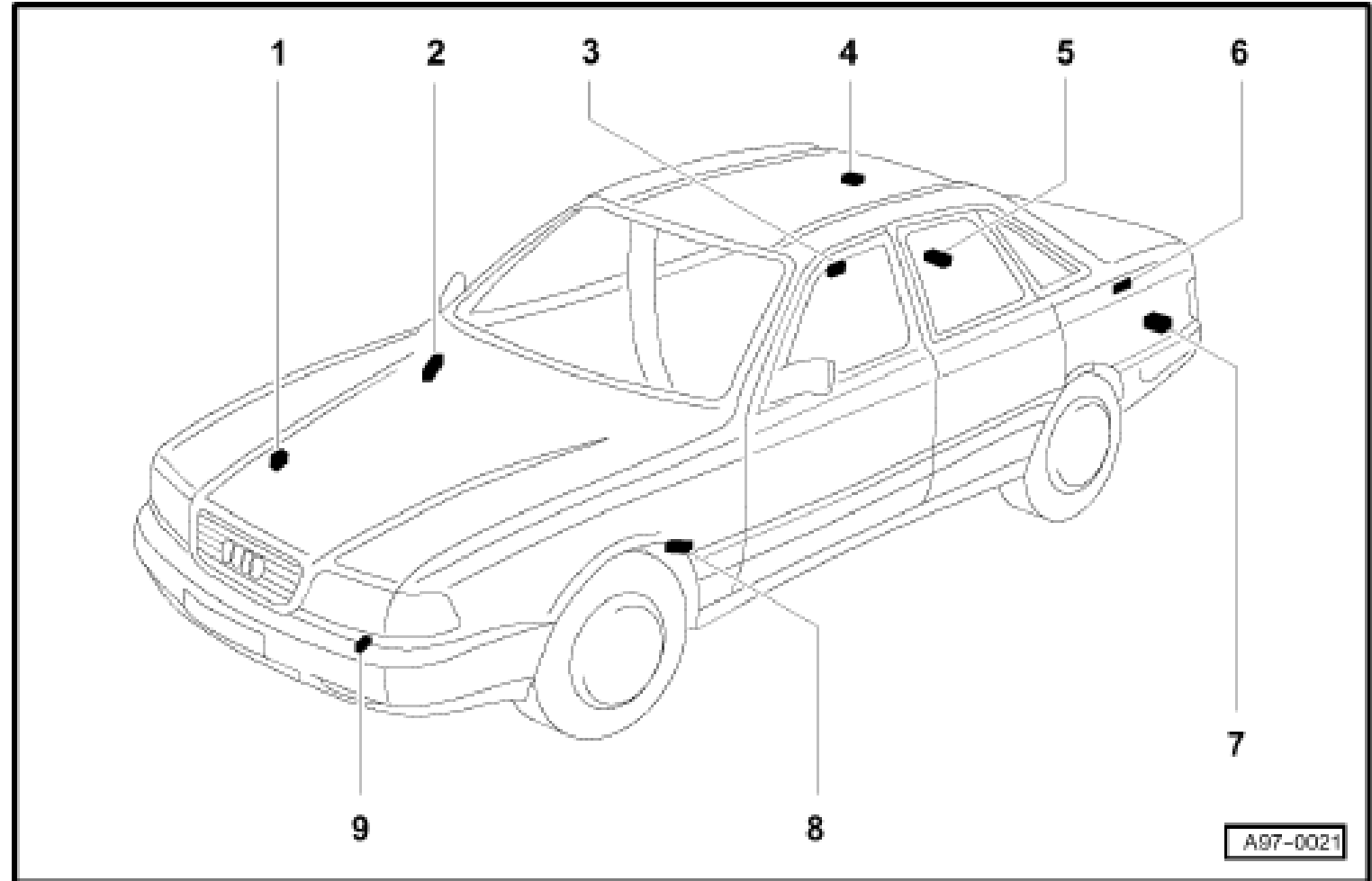
Audi A8

Fitting Locations

No. 201 / 10

List of earth points

- 1 - Earth point, engine compartment, right, under longitudinal member
- 2 - Earth point, right A pillar, above connector point
- 3 - Earth point, right luggage compartment floor, front
- 4 - Earth point, right D pillar, centre
- 5 - Earth point, luggage compartment, right, under rear light
- 6 - Earth point, bracket for aerial motor
- 7 - Earth point, luggage compartment, left, under rear light
- 8 - Earth point, left A pillar
- 9 - Earth point, engine compartment, left, on front longitudinal member



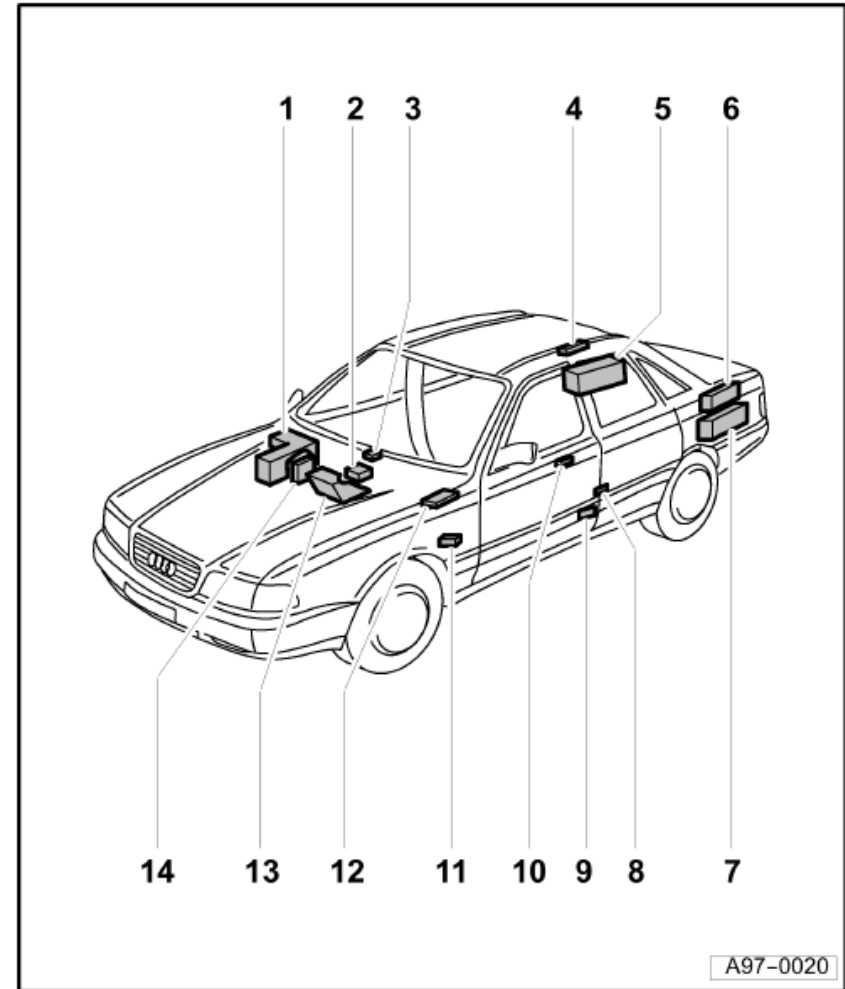
Audi A8

Fitting Locations

No. 201 / 11

Fitting locations of individual components

- 1 - Electronics box in plenum chamber
 - Cruise control system control unit - J213
- 2 - Airbag control unit - J234
- 3 - Diagnostic connector in centre console, under ashtray
- 4 - Relay and fuse carrier, luggage compartment, right
- 5 - Battery / additional battery
- 6 - Anti-theft alarm system horn - H8
 - Control unit for interior monitoring
 - Frequency divider for telephone
 - Aerial motor
- 7 - Bracket for control units
 - Amplifier for Bose sound system - R12
 - CD changer - R41
 - Telephone transmitter and receiver unit - R36
- 8 - Mirror memory control unit - J267, B pillar, driver's side
- 9 - Steering column/belt height adjustment control unit - J352, under carpet, driver's seat (rear section)



Audi A8

Fitting Locations

No. 201 / 12

Fitting locations of individual components

- 10 - Heated lock cylinder control unit - J210
- 11 - Relay under shelf on driver's side (auxiliary relay carrier at wheelhouse, left)
- 12 - ABS control unit - J104 and radiator fan 3rd speed relay - J135, under shelf on driver's side
- 13 - Electronics box, front passenger's footwell
- 14 - Fuse box, right A pillar, behind trim in front passenger's footwell

