

A27-10721

Fuses

Fuse Overview

1 - Fuses (SB) on Fuse Holder, Instrument Panel, left

◆ Component Location ⇒ Pic. Page 802/3

◆ Fuse Position ⇒ Pic. Page 802/4

2 - Relay and Fuse Holder (S) in E-Box plenum chamber

◆ Fuse Position ⇒ Pic. Page 802/15

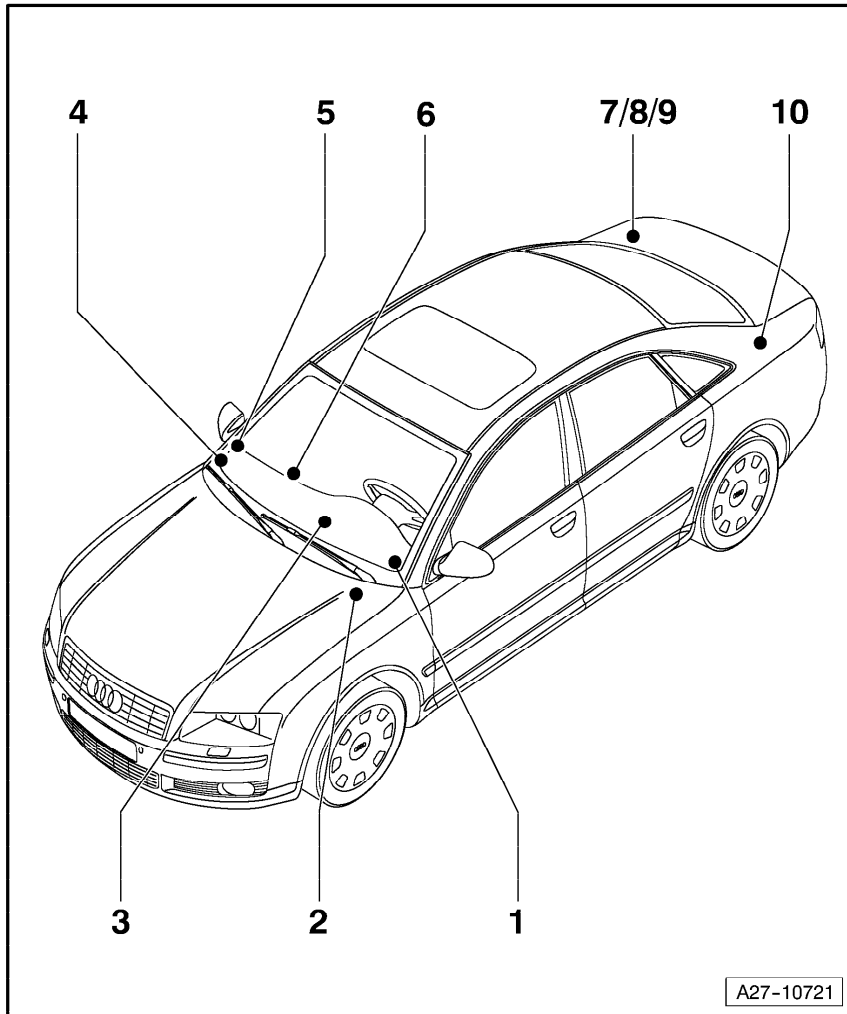
3 - Relay and Fuse Holder (S) behind Instrument Panel, left

◆ Fuse Position ⇒ Pic. Page 802/16

4 - Fuses (SC) on Fuse Holder, Instrument Panel, right

◆ Component Location ⇒ Pic. Page 802/8

◆ Fuse Position ⇒ Pic. Page 802/9



A27-10721

USA 5084.14.21

5 - Fuses (S) on Main Fuse Holder, on A-pillar right

◆ Fuse Position ⇒ Pic. Page 802/18

6 - Relay and Fuse Holder (S) in Front Footwell, right

◆ Fuse Position ⇒ Pic. Page 802/17

7 - Relay and Fuse Holder in Luggage Compartment, right

◆ Fuse Position ⇒ Pic. Page 802/19

8 - Relay and Fuse Holder in Luggage Compartment, right, Fuses

◆ Fuse Position ⇒ Pic. Page 802/20

9 - Relay and Fuse Holder (SF) in Luggage Compartment, right, Fuses

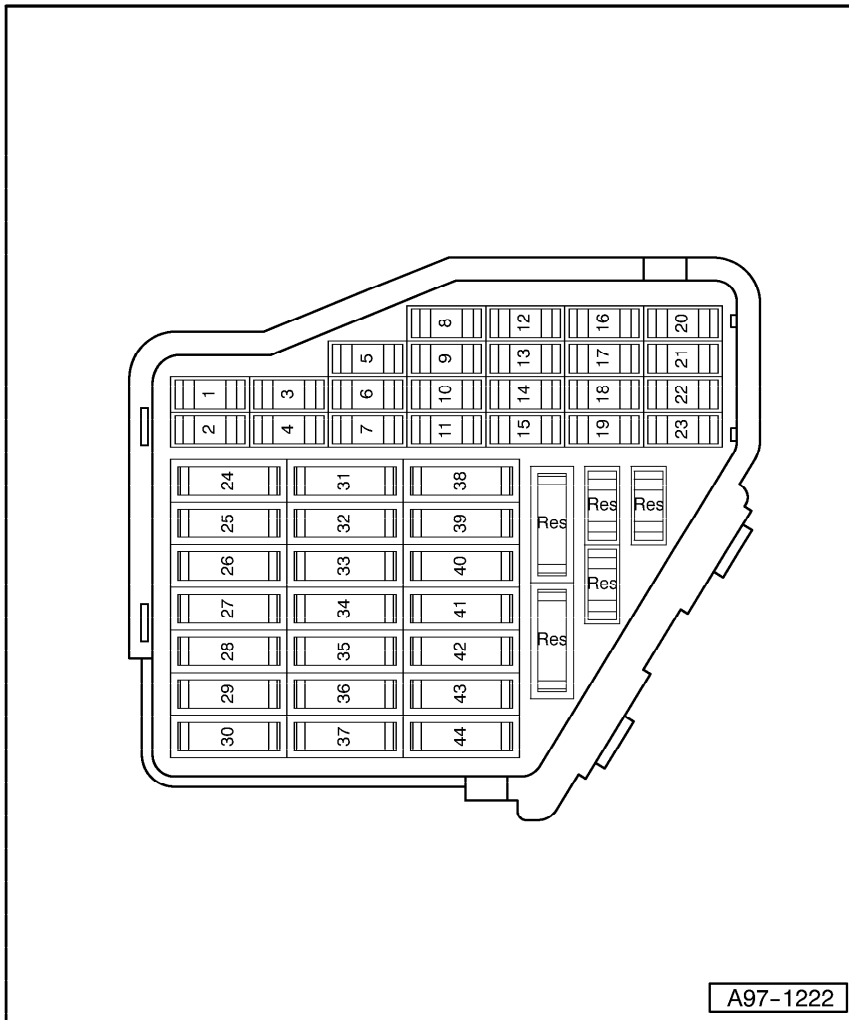
◆ Fuse Position through m.y. 2003 ⇒ Pic. Page LEERER MERKER

◆ Fuse Position from m.y. 2004 ⇒ Pic. Page 802/21

10 - Fuses (SD) on Fuse Holder in Luggage Compartment, left

◆ Fuse Position through m.y. 2003 ⇒ Pic. Page LEERER MERKER

◆ Fuse Position from m.y. 2004 ⇒ Pic. Page 802/23



Mounting Position of Fuses (SB)

Fuse Colors

40A orange

30A green

25A white

20A yellow

15A blue

10A red

7.5A brown

5A beige

3A violet

1A black

A97-1222

Fuses in Fuse Holder, Instrument Panel left

| No. | Name in Wiring Diagram | Nominal Value | Function/Component | Terminal |
|-----|------------------------------------|---------------|---|----------|
| 1 | - SB1 - Fuse 1 (on fuse panel B) | 5 A | - J530 - Garage Door Opener Control Module | 15 |
| 2 | - SB2 - Fuse 2 (on fuse panel B) | 5 A | - J446 - Parking Aid Control Module | 30 |
| 3 | - SB3 - Fuse 3 (on fuse panel B) | 5 A | - J446 - Parking Aid Control Module | 15 |
| 4 | - SB4 - Fuse 4 (on fuse panel B) | 10 A | - J431 - Headlamp Range Control Module V48 - Left Headlamp Beam Adjustment Motor V49 - Right Headlamp Beam Adjustment Motor | 15 |
| 5 | - SB5 - Fuse 5 (on fuse panel B) | 5 A | - J285 - Instrument Cluster Control Module J533 - Data Bus On Board Diagnostic Interface | 30 |
| 6 | - SB6 - Fuse 6 (on fuse panel B) | 10 A | - J527 - Steering Column Electronic Systems Control Module | 30 |
| 7 | - SB7 - Fuse 7 (on fuse panel B) | 5 A | - T16 - Data Link Connector (DLC), below instrument panel, left | 30 |
| 8 | - SB8 - Fuse 8 (on fuse panel B) | 5 A | - G266 - Oil Level Thermal Sensor T16 - Data Link Connector (DLC), below instrument panel, left | 15 |
| 9 | - SB9 - Fuse 9 (on fuse panel B) | 10 A | - J104 - ABS Control Module J527 - Steering Column Electronic Systems Control Module | 15 |
| 10 | - SB10 - Fuse 10 (on fuse panel B) | 5 A | - J533 - Data Bus On Board Diagnostic Interface | 15 |
| 11 | - SB11 - Fuse 11 (on fuse panel B) | 10 A | J759 - Directional Stabilization Assistance Control Module ¹⁾ | 15 |
| 12 | - SB12 - Fuse 12 (on fuse panel B) | 5 A | - F - Brake Light Switch | 30 |

¹⁾ from 09.2007

Audi A8**Component Location****No. 802/5**

| No. | Name in Wiring Diagram | Nominal Value | Function/Component | Terminal |
|-----|------------------------------------|---------------|--|----------|
| 13 | - SB13 - Fuse 13 (on fuse panel B) | 10 A | - J526 - Telephone/Telematics Control Module R36 - Telephone Transceiver | 30 |
| 14 | - not used | | | |
| 15 | - SB15 - Fuse 15 (on fuse panel B) | 5 A | - E408 - Access/Start Authorization Button | 30 |
| 16 | - SB16 - Fuse 16 (on fuse panel B) | 10 A | - - Rear Seat Entertainment ²⁾ | 15 |
| 17 | - SB17 - Fuse 17 (on fuse panel B) | 5 A | - J428 - Distance Regulation Control Module Z47 - Distance Regulation Sensor Heater ¹⁾ | 15 |
| 18 | - SB18 - Fuse 18 (on fuse panel B) | 5 A | - Z20 - Left Washer Nozzle Heater Z21 - Right Washer Nozzle Heater | 75 |
| 19 | - SB19 - Fuse 19 (on fuse panel B) | 15 A | - J711 - Windshield Washer Fluid Heating Relay ¹⁾ | 75 |
| 20 | - SB20 - Fuse 20 (on fuse panel B) | 5 A | - J502 - Tire Pressure Monitoring Control Module | 30 |
| 21 | - not used | | | |
| 22 | - SB22 - Fuse 22 (on fuse panel B) | 5 A | - F47 - Brake Pedal Switch | 87 |
| 23 | - not used | | | |
| 24 | - SB24 - Fuse 24 (on fuse panel B) | 15 A | - H2 - High Tone Horn H7 - Low Tone Horn J4 - Horn Relay | 30 |

¹⁾ through m.y. 2004²⁾ from m.y. 2006

Audi A8**Component Location****No. 802/6**

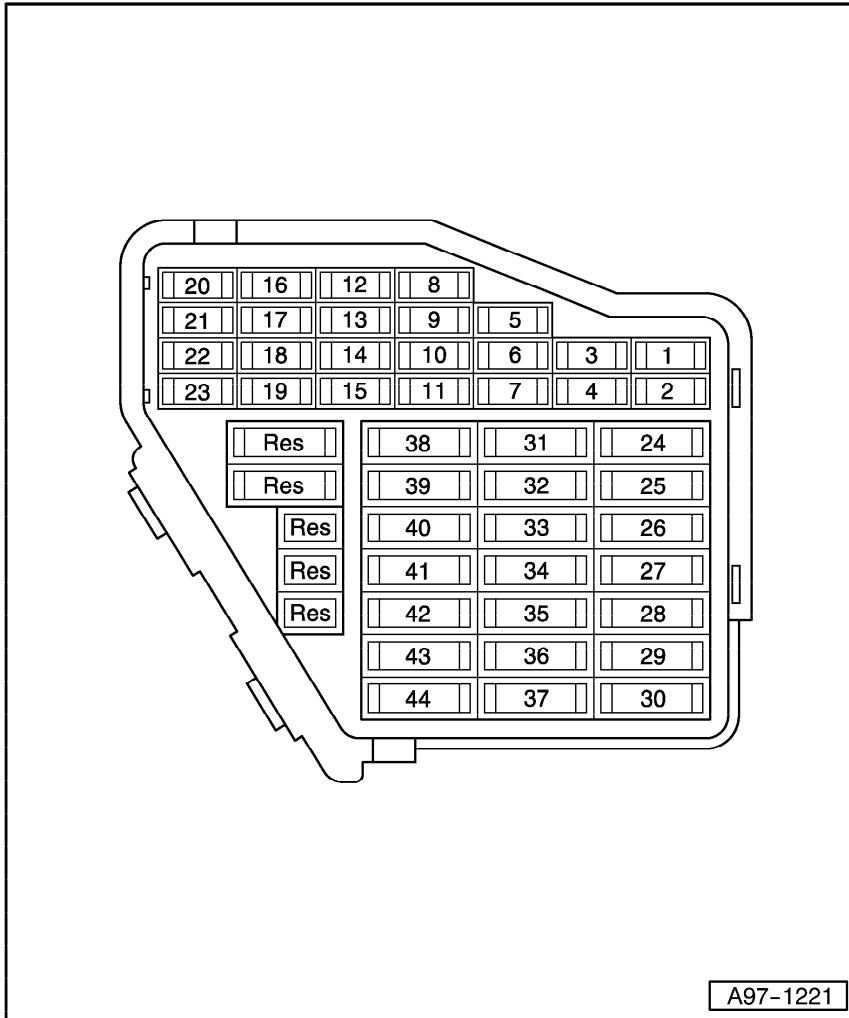
| No. | Name in Wiring Diagram | Nominal Value | Function/Component | Terminal |
|-----|------------------------------------|--------------------|--|----------|
| 25 | - SB25 - Fuse 25 (on fuse panel B) | 40 A | - J400 - Wiper Motor Control Module V - Windshield Wiper Motor V5 - Windshield Washer Pump | 30 |
| 26 | - SB26 - Fuse 26 (on fuse panel B) | 30 A ¹⁾ | - U18 - 12V Socket 2 ¹⁾ U19 - 12V Socket 3 ¹⁾ | 30 |
| 27 | - SB27 - Fuse 27 (on fuse panel B) | 25 A | - J104 - ABS Control Module | 30 |
| 28 | - not used | | | |
| 29 | - SB29 - Fuse 29 (on fuse panel B) | 1 A | - - Switch Illumination | 58s |
| 30 | - not used | | | |
| 31 | - SB31 - Fuse 31 (on fuse panel B) | 30 A | - J519 - Vehicle Electrical System Control Module | 30 |
| 32 | - not used | | | |
| 33 | - SB33 - Fuse 33 (on fuse panel B) | 25 A | - Z42 - Left Rear Footwell Heater | 75 |
| 34 | - not used | | | |
| 35 | - not used | | | |
| 36 | - SB36 - Fuse 36 (on fuse panel B) | 5 A | J769 - Lane Change Assistance Control Module ²⁾ | 15 |
| 37 | - SB37 - Fuse 37 (on fuse panel B) | 15 A | - J698 - Cooler | 15 |
| 38 | - SB38 - Fuse 38 (on fuse panel B) | 30 A | - J519 - Vehicle Electrical System Control Module | 30 |
| 39 | - SB39 - Fuse 39 (on fuse panel B) | 7,5 A | - J386 - Driver Door Control Module | 30 |

¹⁾ through m.y. 2004²⁾ from September 2007

Audi A8**Component Location****No. 802/7**

| No. | Name in Wiring Diagram | Nominal Value | Function/Component | Terminal |
|-----|------------------------------------|---------------|--|----------|
| 40 | - SB40 - Fuse 40 (on fuse panel B) | 25 A | - J519 - Vehicle Electrical System Control Module V123 - Steering Column Adjustment Motor (vertical) V124 - Steering Column Adjustment Motor (axial) | 30 |
| 41 | - SB41 - Fuse 41 (on fuse panel B) | 7,5 A | - J388 - Left Rear Door Control Module | 30 |
| 42 | - SB42 - Fuse 42 (on fuse panel B) | 25 A | - J518 - Access/Start Control Module | 30 |
| 43 | - SB43 - Fuse 43 (on fuse panel B) | 10 A | - Left Headlight with Cornering Light ¹⁾ | 15 |
| 44 | - SB44 - Fuse 44 (on fuse panel B) | 10 A | - Right Headlight with Cornering Light ¹⁾ | 15 |

¹⁾ from m.y. 2006



Mounting Position of Fuses (SC)

Fuse Colors

40A orange

30A green

25A white

20A yellow

15A blue

10A red

7,5A brown

5A beige

3A violet

1A black

A97-1221

Fuse in Fuse Holder, Instrument Panel right

| No. | Name in Wiring Diagram | Nominal Value | Function/Component | Terminal |
|-----|----------------------------------|---------------|--|----------|
| 1 | - SC1 - Fuse 1 (on fuse panel C) | 5 A | - J540 - Electro-Mechanical Parking Brake Control Module | 15 |
| 2 | - SC2 - Fuse 2 (on fuse panel C) | 10 A | - J255 - Climatronic Control Module | 30 |
| 3 | - SC3 - Fuse 3 (on fuse panel C) | 5 A | - F189 - Tiptronic Switch F305 - Transmission Park Selector Switch N110 - Shift Lock Solenoid | 15 |
| 4 | - SC4 - Fuse 4 (on fuse panel C) | 15 A | - J217 - Transmission Control Module (TCM) | 87 |
| 5 | - SC5 - Fuse 5 (on fuse panel C) | 15 A | - G70 - Mass Air Flow (MAF) Sensor G246 - Mass Air Flow (MAF) Sensor 2 J299 - Secondary Air Injection (AIR) Pump Relay J545 - Secondary Air Injection (AIR) Pump Relay 2 N112 - Secondary Air Injection (AIR) Solenoid Valve N115 - Evaporative Emission (EVAP) Canister Purge Solenoid Valve 2 N145 - Right Electro-Hydraulic Engine Mount Solenoid Valve N290 - Fuel Metering Valve N321 - Exhaust Flap Valve 1 N335 - Intake Air Switch-Over Valve V144 - Leak Detection Pump (LDP) | 87 |
| 6 | - SC6 - Fuse 6 (on fuse panel C) | 15 A | - G39 - Heated Oxygen Sensor (HO2S) G108 - Heated Oxygen Sensor (HO2S) 2 | 87 |
| 7 | - SC7 - Fuse 7 (on fuse panel C) | 15 A | - G130 - Oxygen Sensor (O2S) Behind Three Way Catalytic Converter (TWC) G131 - Oxygen Sensor (O2S) 2 Behind Three Way Catalytic Converter (TWC) | 87 |

Audi A8**Component Location****No. 802/10**

| No. | Name in Wiring Diagram | Nominal Value | Function/Component | Terminal |
|-----|----------------------------------|---------------|--|----------|
| 8 | SC8 - Fuse 8 (on fuse panel C) | 10 A | F265 - Map Controlled Engine Cooling Thermostat N205 - Camshaft Adjustment Valve 1 N208 - Camshaft Adjustment Valve 2 N382 - Torque Support Valve V51 - After-Run Coolant Pump V157 - Intake Flap Motor V183 - Variable Intake Manifold Runner Motor | 87 |
| 9 | SC9 - Fuse 9 (on fuse panel C) | 5 A | G238 - Air Quality Sensor E265 - Rear A/C Display Control Head (Climatronic) E128 - Left Rear Heated Seat Regulating Switch E129 - Right Rear Heated Seat Regulating Switch G65 - High Pressure Sensor J255 - Climatronic Control Module E256 - ASR/ESP Button | 15 |
| 10 | SC10 - Fuse 10 (on fuse panel C) | 10 A | J197 - Level Control System Control Module | 15 |
| 11 | SC11 - Fuse 11 (on fuse panel C) | 5 A | G397 - Rain/Light Recognition Sensor | 30 |
| 12 | SC12 - Fuse 12 (on fuse panel C) | 5 A | J523 - Front Information Display Control Head Control Module | 30 |
| 13 | SC13 - Fuse 13 (on fuse panel C) | 10 A | J528 - Roof Electronics Control Module | 30 |

Audi A8**Component Location****No. 802/11**

| No. | Name in Wiring Diagram | Nominal Value | Function/Component | Terminal |
|-----|------------------------------------|---------------|---|----------|
| 14 | - SC14 - Fuse 14 (on fuse panel C) | 5 A | - R41 - CD Changer R92 - CD-ROM Drive | 30 |
| 15 | - SC15 - Fuse 15 (on fuse panel C) | 5 A | - J644 - Energy Management Control Module | 30 |
| 16 | - not used | | | |
| 17 | - SC17 - Fuse 17 (on fuse panel C) | 5 A | - V7 - Coolant Fan V177 - Coolant Fan 2 | 87 |
| 18 | - SC18 - Fuse 18 (on fuse panel C) | 5 A | - J234 - Airbag Control Module J706 - Seat Occupied Recognition Control Module | 15 |
| 19 | - not used | | | |
| 20 | - SC20 - Fuse 20 (on fuse panel C) | 5 A | - J526 - Telephone/Telematics Control Module J672 - Driver Seat Ventilation Control Module J673 - Front Passenger Seat Ventilation Control Module | 75 |
| 21 | - SC21 - Fuse 21 (on fuse panel C) | 5 A | - J271 - Motronic Engine Control Module (ECM) Power Supply Relay J623 - Engine Control Module (ECM) | 30 |
| 22 | - not used | | | |

Audi A8**Component Location****No. 802/12**

| No. | Name in Wiring Diagram | Nominal Value | Function/Component | Terminal |
|-----|------------------------------------|---------------|--|----------|
| 23 | - SC23 - Fuse 23 (on fuse panel C) | 5 A | - F234 - Parking Brake Pressure Switch | 30 |
| 24 | - SC24 - Fuse 24 (on fuse panel C) | 10 A | - J520 - Vehicle Electrical System Control Module 2 | 30 |
| 25 | - SC25 - Fuse 25 (on fuse panel C) | 15 A | - J217 - Transmission Control Module (TCM) | 30 |
| 26 | - SC26 - Fuse 26 (on fuse panel C) | 10 A | - E265 - Rear A/C Display Control Head (Climatronic) J255 - Climatronic Control Module | 30 |
| 27 | - SC27 - Fuse 27 (on fuse panel C) | 20 A | - J245 - Power Sunroof Control Module | 30 |
| 28 | - SC29 - Fuse 28 (on fuse panel C) | 5 A | - J623 - Engine Control Module (ECM) | 15 |
| 29 | - SC29 - Fuse 29 (on fuse panel C) | 15 A | - N30.. - Cylinder 1 Fuel Injector | 87 |
| 30 | - SC30 - Fuse 30 (on fuse panel C) | 30 A | - N... - Ignition Coil J623 - Engine Control Module (ECM) | 87 |
| 31 | - SC31 - Fuse 31 (on fuse panel C) | 20 A | - G23 - Fuel Pump (FP) N115 - Evaporative Emission (EVAP) Canister Purge Solenoid Valve 2 | 87 |
| 32 | - SC32 - Fuse 32 (on fuse panel C) | 10 A 5 A | - J217 - Transmission Control Module (TCM) (multitronic®) J217 - Transmission Control Module (TCM) (6-Speed) 09E, 09L | 15 |

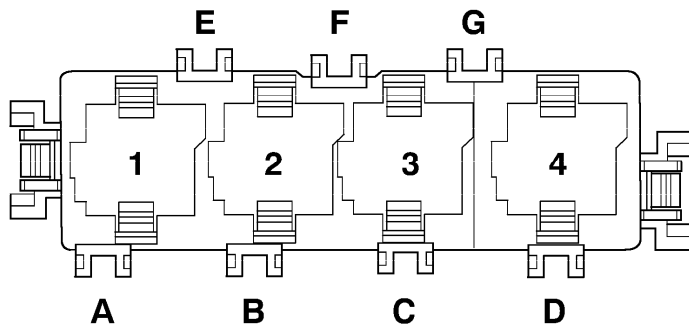
Audi A8**Component Location****No. 802/13**

| No. | Name in Wiring Diagram | Nominal Value | Function/Component | Terminal |
|-----|------------------------------------|------------------------------------|--|----------|
| 33 | - SC33 - Fuse 33 (on fuse panel C) | 25 A | - Z43 - Right Rear Footwell Heater | 75 |
| 34 | - SC34 - Fuse 34 (on fuse panel C) | 20 A | - - Heated Seats, Seat Ventilation rear E265 - Rear A/C Display Control Head (Climatronic) | 30 |
| 35 | - SC35 - Fuse 35 (on fuse panel C) | 20 A | - J255 - Climatronic Control Module J672 - Driver Seat Ventilation Control Module J673 - Front Passenger Seat Ventilation Control Module | 30 |
| 36 | - SC36 - Fuse 36 (on fuse panel C) | 20 A | - U1 - Cigarette Lighter | 30 |
| 37 | - SC37 - Fuse 37 (on fuse panel C) | 20 A 30 A 25 A ²⁾ | - U9 - Rear Cigarette Lighter U18 - 12V Socket 2 ¹⁾ U19 - 12V Socket 3 ¹⁾ | 30 |
| 38 | - SC38 - Fuse 38 (on fuse panel C) | 20 A | - V284 - Coolant Fan 3 | 30 |
| 39 | - SC39 - Fuse 39 (on fuse panel C) | 7,5 A | - J387 - Front Passenger Door Control Module | 30 |
| 40 | - SC40 - Fuse 40 (on fuse panel C) | 15 A | - J569 - Brake Booster Relay | 30 |
| 41 | - SC41 - Fuse 41 (on fuse panel C) | 7,5 A | - J389 - Right Rear Door Control Module | 30 |

¹⁾ from m.y. 2005²⁾ from m.y. 2006

Audi A8**Component Location****No. 802/14**

| No. | Name in Wiring Diagram | Nominal Value | Function/Component | Terminal |
|-----|------------------------------------|---------------|-----------------------------|----------|
| 42 | - not used | | | |
| 43 | - SC43 - Fuse 43 (on fuse panel C) | 30 A | J39 - Headlamp Washer Relay | 30 |
| 44 | - SC44 - Fuse 44 (on fuse panel C) | 30 A | - V2 - Fresh Air Blower | 15 |



**Relay and Fuse Panel in E-Box ple-
num chamber**

A - not used

**B - Fuse for Secondary Air Pump -S130-
50A**

**C - Secondary Air (AIR) Pump Fuse 2 -
S284- 50A**
◆ only Code BSB

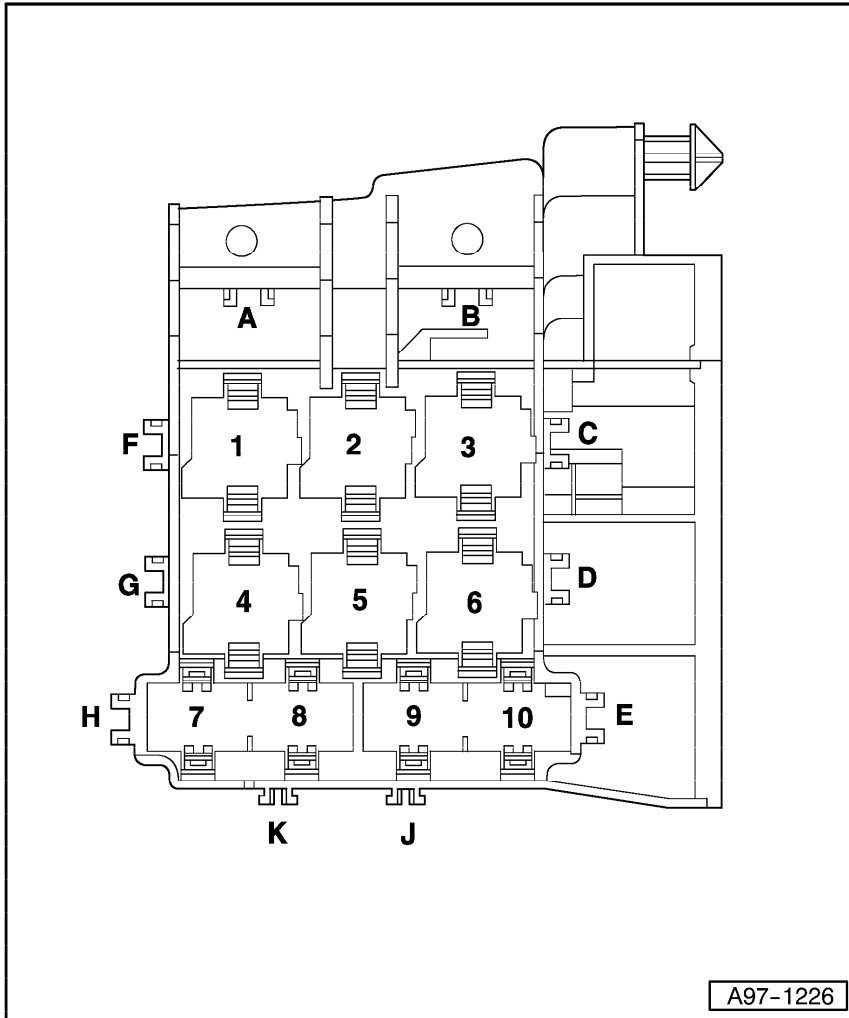
D - not used

F - not used

E - not used

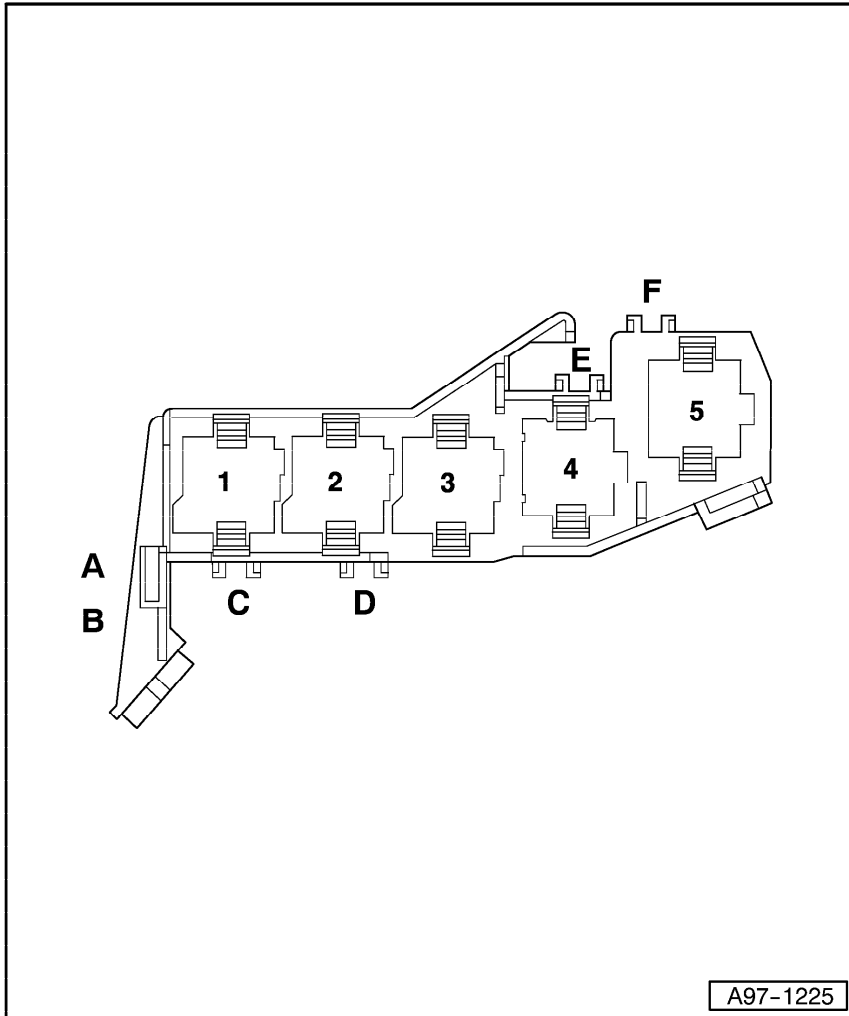
G - not used

A97-1227



Relay and Fuse Panel behind Instrument Panel, left

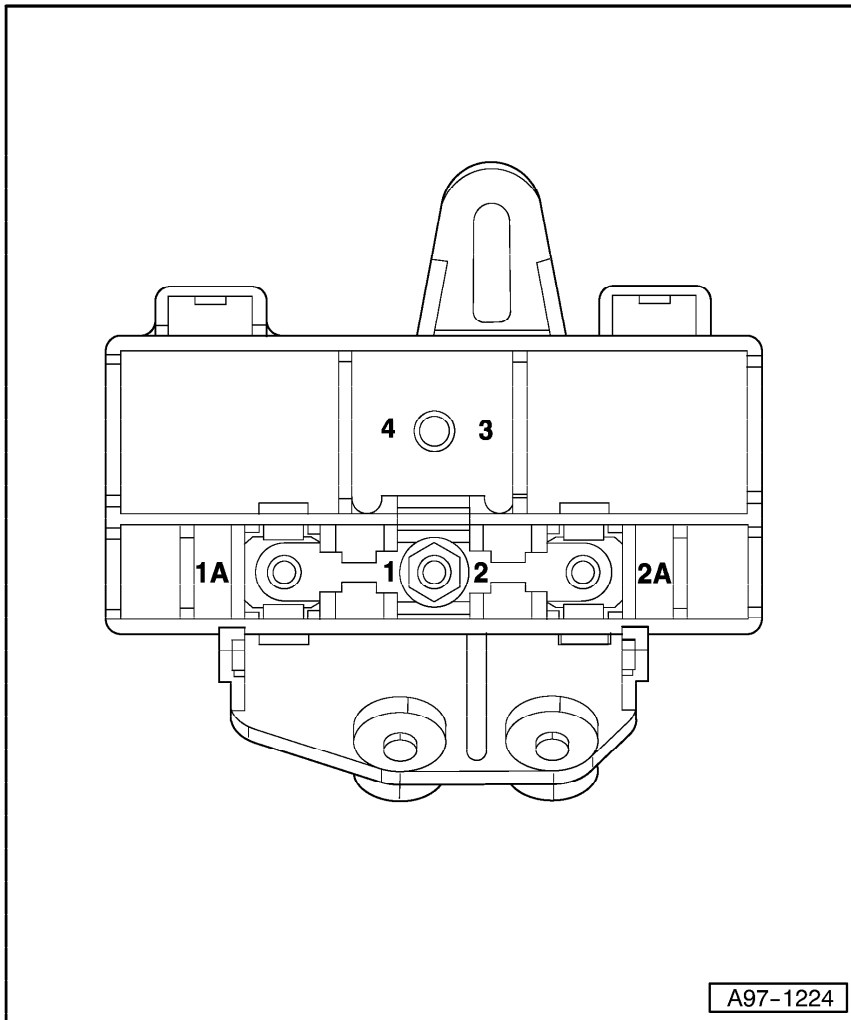
- A - Fuse 1 for Control Module -ABS -S123-60A**
- B - Self-Levelling System Fuse -S110- 40A**
- C - Power Window Circuit Breaker -S43-30A**
- D - Power Seat Circuit Breaker 1 -S44- 30A**
- E - Power Seat Circuit Breaker 2 -S45- 30A**
- F - not used**
- G - not used**
- H - not used**



A97-1225

Relay and Fuse Panel in Front Footwell, right

- A - Front Passenger's Window Regulator Fuse -S170- 30A**
◆ through 07.2006
- B - Front Passenger's Power Seat Adjustment Circuit Breaker 1 -S46- 30A**
- C - not used**
◆ from m.y. 2004
- C - Front Passenger's Window Regulator Fuse -S170- 30A**
◆ from 08.2006
- D - Front Passenger's Power Seat Adjustment Circuit Breaker 2 -S80- 30A**
- E - not used**
- F - not used**



Main Fuse Panel A-Pillar right

1 - Coolant Fan Fuse -S42- 60A

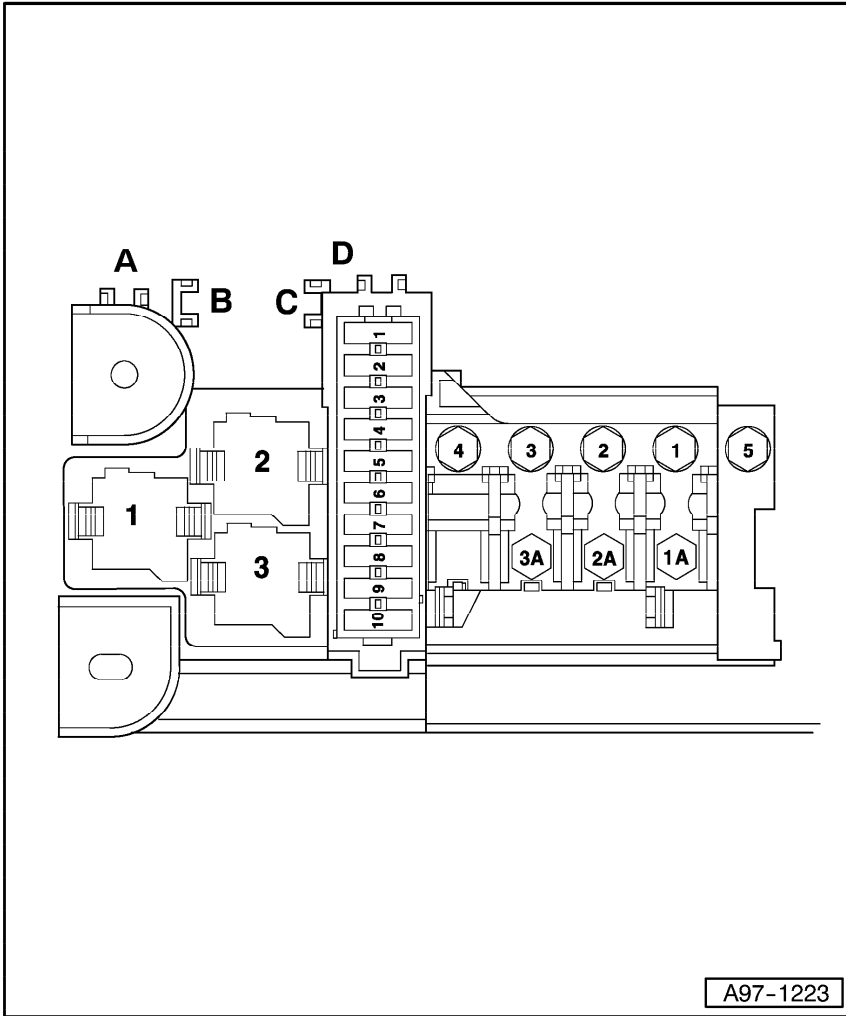
1A - Threaded Connection for Coolant Fan

2 - Second Speed Coolant Fan Fuse -S104- 60A

2A - Threaded Connection for Second Speed Coolant Fan

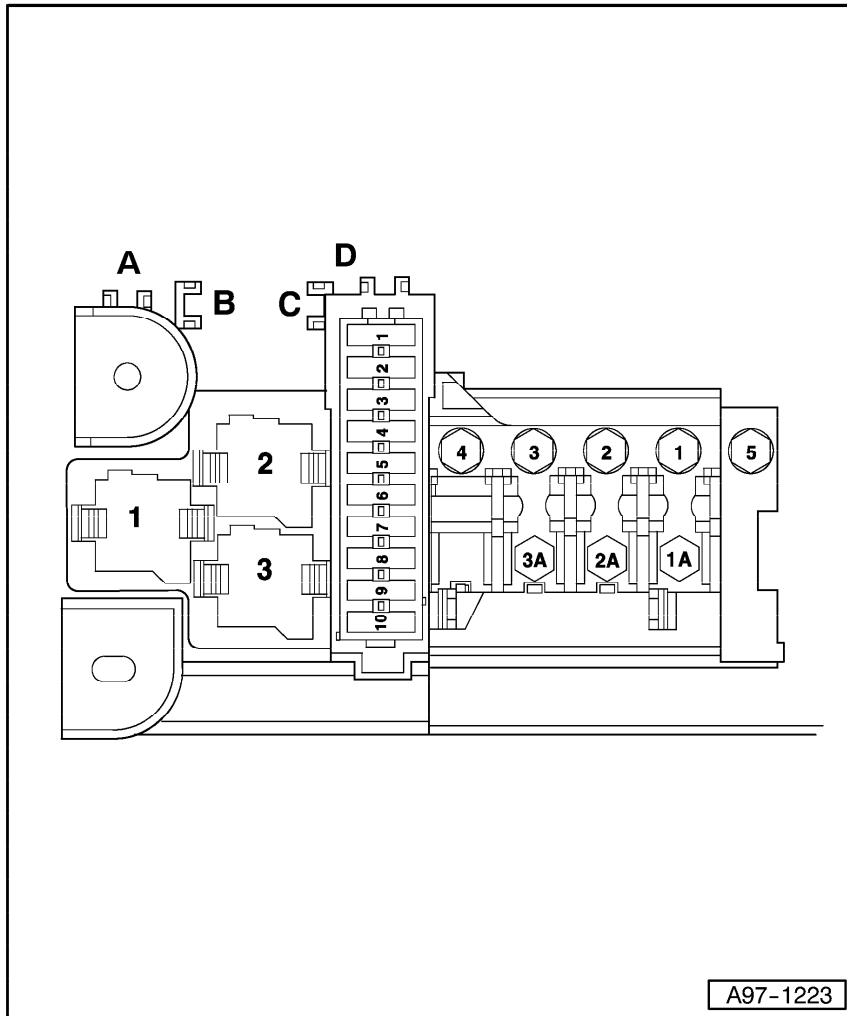
3 - Threaded Connection terminal 30, Battery

4 - Threaded Connection terminal 30, Starter



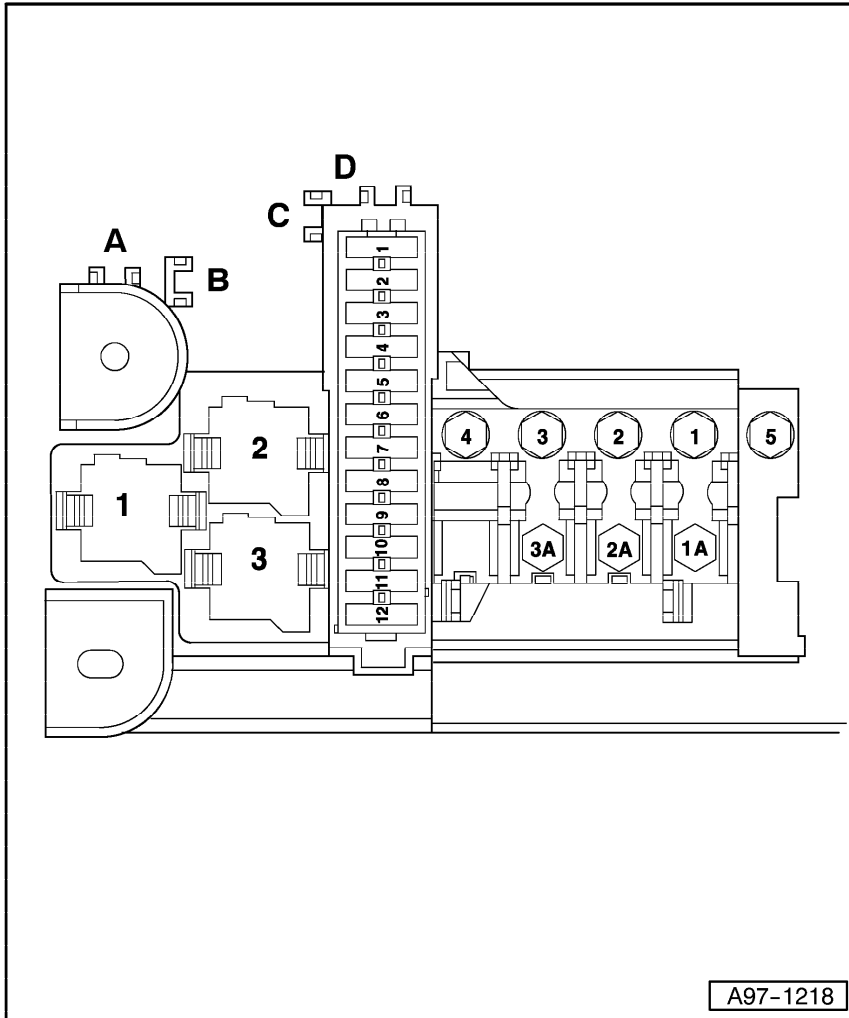
Relay and Fuse Panel in Luggage Compartment, right

- A - Individual Fuse for Heated Rear Glass - S41- 40A**
- B - Rear Seat Adjustment Circuit Breaker 1 -S335- 30A**
◆ through m.y. 2005
- B - Fuel Pump (FP) Fuse -S81- 40A**
◆ from m.y. 2006
- C - Rear Seat Adjustment Circuit Breaker 2 -S336- 30A**
- D - not used**
◆ through m.y. 2005
- D - Communication Fuse -S254- 15A**
◆ from m.y. 2006



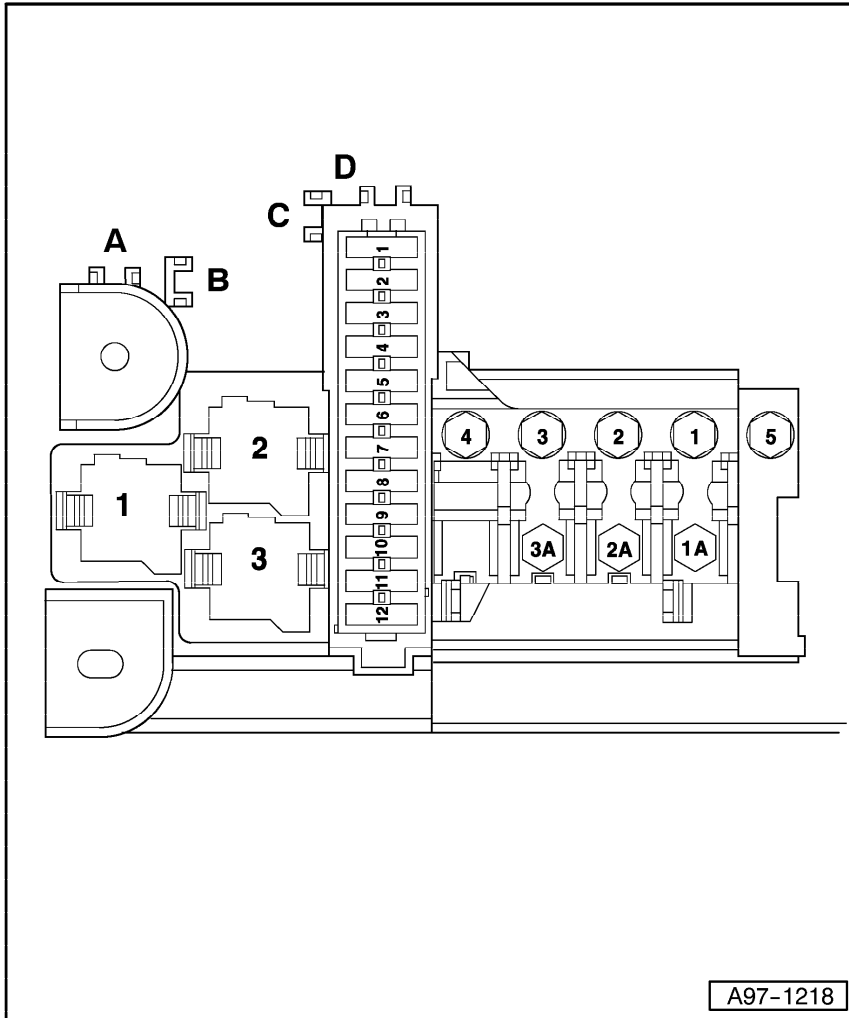
Relay and Fuse Panel in Luggage Compartment, right

- 1 - Terminal 30, -S131- Safety Fuse, 110A for -Z2- Heated Front Window
- 1A - Threaded Connection terminal 30a, for -Z2- Heated Front Window
- 2 - Terminal 30, -S132- Safety Fuse, 60A, for Radio, Navigation, TV Tuner
- 2A - Threaded Connection terminal 30a
- 3 - Terminal 30, -S133- Safety Fuse, 150A Vehicle Electrical System
- 3A - Threaded Connection terminal 30a, Vehicle Electrical System
- 4 - Threaded Connection terminal 30, Fuse Holder
- 5 - Threaded Connection terminal 30, Battery



Relay and Fuse Panel (SF) in Luggage Compartment, right

- SF1 -not used
- SF2 -Transfer Fuel Pump (FP) - G6-, 20A
- SF3 -not used
- SF4 -not used
- SF5 -Comfort System Central Control Module -J393- Taillight left , 20A
- SF6 -Comfort System Central Control Module -J393- Taillight right, 10A
- SF7 -Comfort System Central Control Module -J393- Door Closing, 20A
- SF8 -Electro-Mechanical Parking Brake Control Module -J540-, Left Parking Break Motor -V282-, 30A

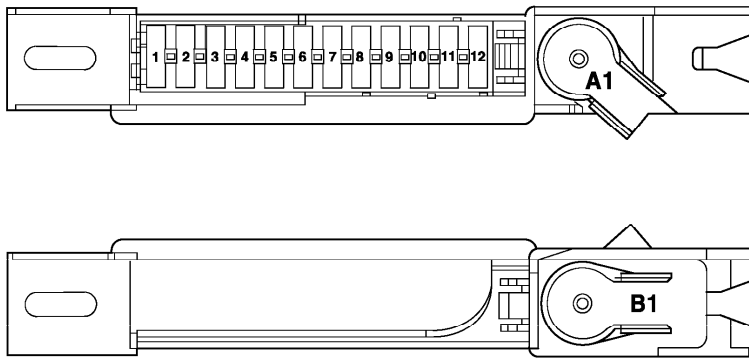


SF9 -Electro-Mechanical Parking Brake Control Module -J540-, Right Parking Break Motor -V283-, 30A

SF10 -not used

SF11 -not used

SF12 -Towing Recognition Control Module - J345-, 15A



A97-1216

**Fuse Panel (SD) in Luggage Com-
partment, left**

SD1 -not used

SD2 -not used

SD3 -not used

SD4 -not used

**SD5 -Digital Sound System Control Module
-J525-, 30A**

**SD6 -Navigation System with CD Drive Con-
trol Module -J401-, 5A**

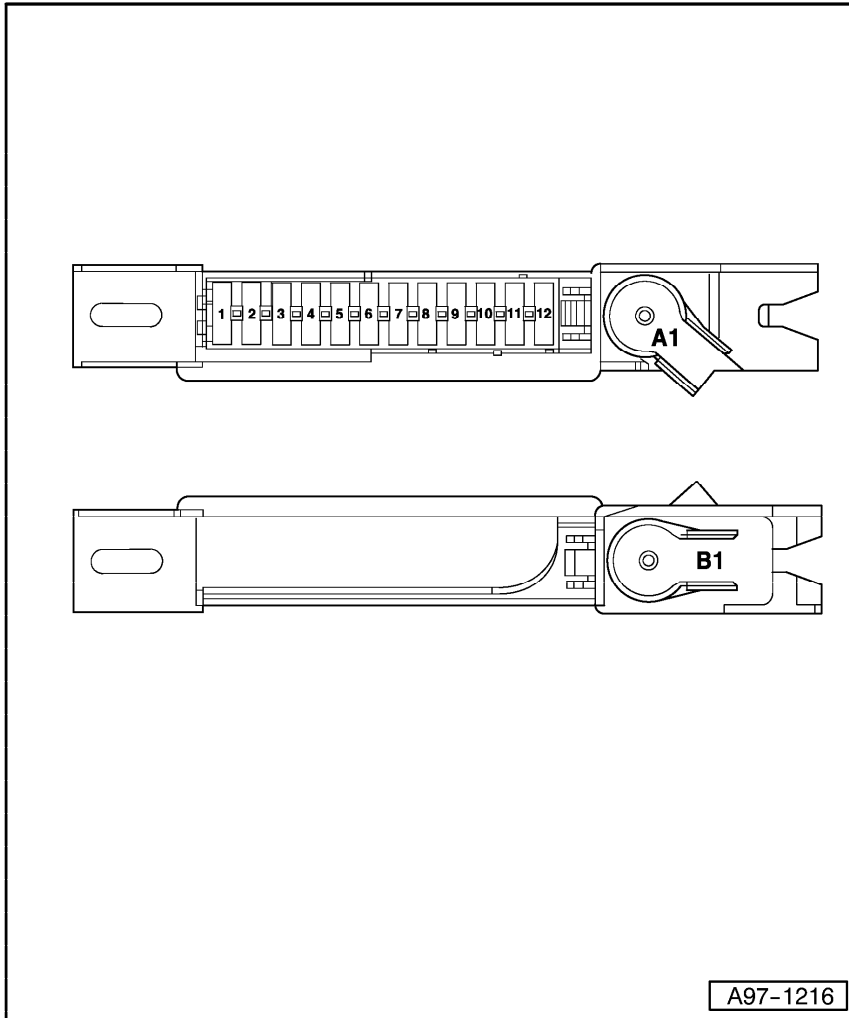
SD7 -not used

**SD8 -Rear View Camera System Control
Module -J772-, 5A**

◆ not used through m.y. 2007

SD9 -Radio -R-, Satellite Radio -R146-, 5A

SD10-Center Speaker -R148-, 15A



SD10 -Digital Sound System Control Module 2 -J787-, 30A

◆ only BANG and OLUFSEN

SD11-12 V Socket -U5-, 20A¹⁾

SD12-Auxiliary Heater Radio Receiver -R64-, 5A¹⁾

A1- Threaded Connection terminal 30, Battery

B1- Threaded Connection terminal 30, Fuse Holder

¹⁾ Not applicable to USA/CDN

A97-1216